

## SIM Cards



Micro SIM 1  
(Primary)

Micro SIM 2


1

2

## Connectors

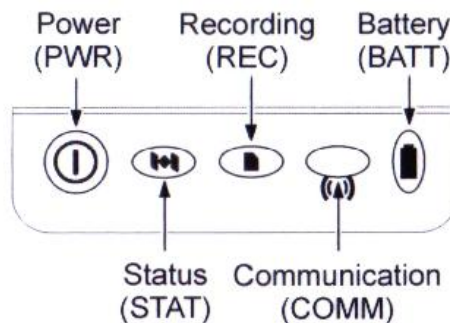
Power/Serial      USB      Cellular/RF Antenna



 Do not attach an external GNSS antenna to the RF connector. This receiver has an integrated GNSS antenna and does not support external GNSS antennas.

 Receivers without cellular modems will not have SIM card access and an RF antenna connector.

## HiPer SR LED Display Panel



LED ICON KEY			
DISPLAY	SOLID	BLINKING	OFF
POWER BUTTON FUNCTIONS			
FUNCTION	PRESS BUTTON	LED DESCRIPTION	
Power On	1+ seconds	Power LED blinks green until startup is complete, and then the LED turns off.	
Power Off	3-10 seconds	All LEDs are off. Release Power button when the BATT LED is solid red.	
Factory Reset (Clear NVRAM)	10-15 seconds	All LEDs are off. Release the Power button when the STAT LED is solid red.	
Erase All Files*	15-20 seconds	All LEDs are off. Release the Power button when the REC LED is solid red.	
Disregard	More than 20 seconds	All LEDs return to normal, and the receiver has not taken any action.	
Open/Close data file	3 times in a row within 2 seconds	The data file opens in static mode. While the file is open, press the power button 2 times in a row within 1 second to switch back and forth between static and dynamic modes. To close a data file, press the power button 3 times in a row within 2 seconds. Refer to the Recording LED description.	
TRACKING STATUS LED (STAT)			
ORDER	DISPLAY	STATUS	
1		One blink per tracked GPS satellite.	
2		One blink per tracked GLONASS satellite.	
3		One blink when there are no tracked satellites or solutions. It is Off otherwise.	

\* This action is irreversible. If you are unsure about this action, continue to hold down the button until all LEDs return to normal.

LED ICON KEY			
DISPLAY	SOLID	BLINKING	OFF
COMM LED			
DISPLAY	BLUETOOTH ONLY STATUS		
	Bluetooth is on. Waiting for a connection.		
	Single Bluetooth connection is established.		
	LongLink connection(s) established. LED will blink once for each connection every 5 seconds.		
	Bluetooth is turned off.		
DISPLAY	CELLULAR ONLY STATUS		
	The cellular modem is starting up.		
	The cellular modem is transmitting or receiving data.		
	The cellular modem has started up, and the receiver is connected to a data collector through Bluetooth.		
	The cellular modem has detected data transmissions, and the receiver is connected to a data collector through Bluetooth.		
BATTERY LED (UNIT IS ON)			
DISPLAY	INTERNAL BATTERIES IN USE		
	Greater than 50% charge.		
	Greater than 15% charge.		
	Less than 15% charge.		
DISPLAY	EXTERNAL POWER SOURCE IN USE		
	External power source is in use. Internal batteries are fully charged.		
	Internal batteries greater than 50% charge. Batteries are charging.		
	Internal batteries greater than 15% charge. Batteries are charging.		
	Internal batteries less than 15% charged. Batteries are charging.		
BATTERY LED (UNIT IS OFF)			
	External power source is present. Batteries are fully charged.		
	External power source is present. Batteries are charging.		